

# ACTatek solutions make a difference.

**SECURITY**

**WORKFORCE MANAGEMENT**

**PAYROLL**

**ACTatek**  
THE ID MANAGEMENT PLATFORM

*Biometric Authentication*      *Real time communication*      *Enterprise-wide deployment*

Trying to incorporate biometrics technology to your existing software? ACTatek's simple and easy to use middle ware do it all for you reducing the cost and headache.

ACTatek's patent pending ID-Video allows digital search and mangement of all the video by user ID. Enter the ID, all the video clips of that user will pop up for you to see whether, for example, tail-gating occurred...

You only getting reports from your Time Attendant software and wishing for solutions? Try ACTatek SMART TIME, an enterprise level client server Labour Cost Management tool, that will give you solutions to reduce Labour Cost, prevents buddy punch...

ACTatek's Active RFID asset and property protection and tracking solution assigns ownership rights biometrically and their user ID. No one can take away or moving any property without the rightful owner's presence...

ACTatek TA an integrated Time Attendant software for SMEs...

ACTatek Access Manager, a web-based enterprise level management software to reduce your system integration and back-end cost...

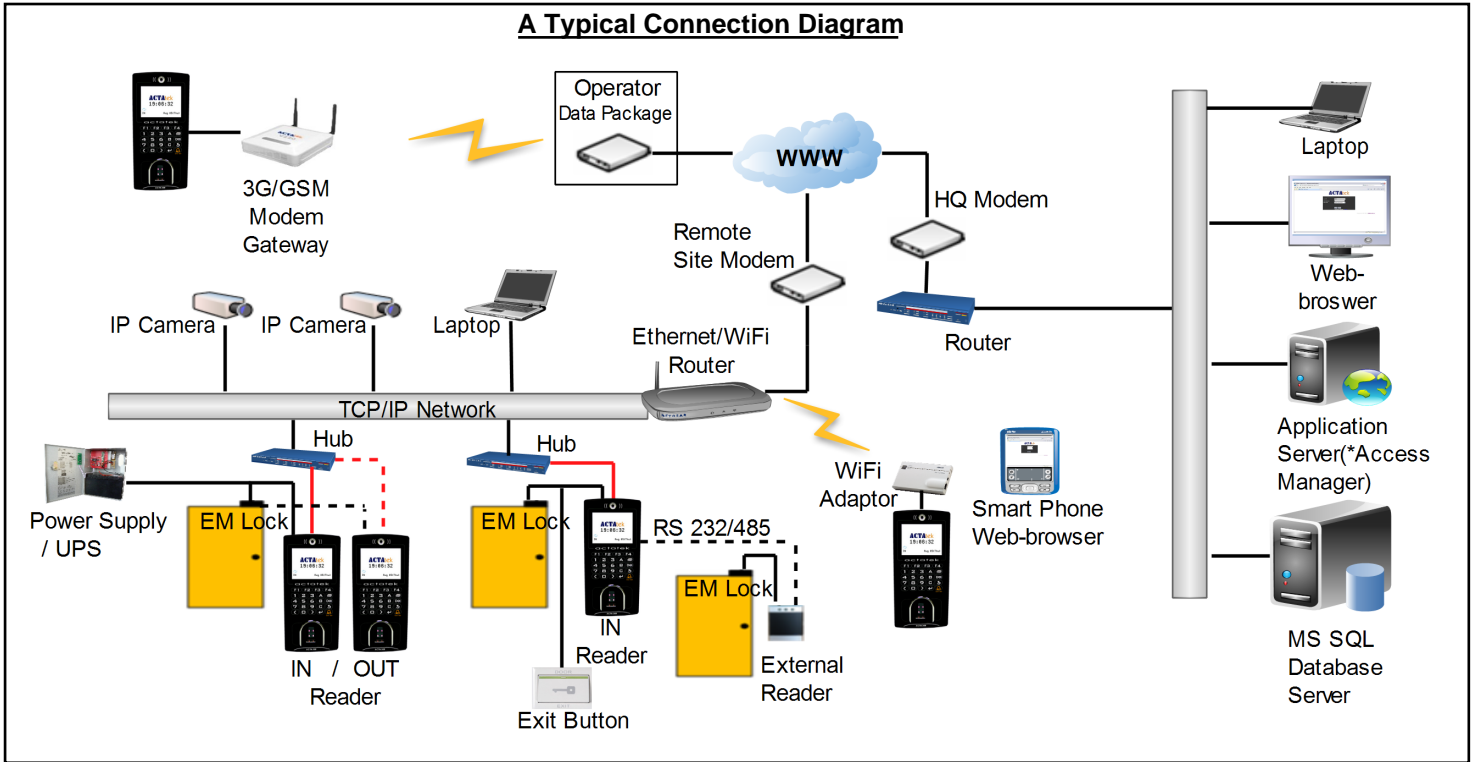


**FCCE SAS IEC6095**  
IP65(Water Proof& Impact Resistant)

**ACTatek**

# Access Control / Time Attendance

**A Typical Connection Diagram**



## Standard Features

Model:				
	Fingerprint only	Smartcard only	Fingerprint + Smartcard	Keypad + CMOS camera
Fingerprint enrollment	✓	✗	✓	✗
Built-in smartcard reader	✗	✓	✓	✗
Built-in web and database server	✓	✓	✓	✓
Number of users	1k/3k/5k 10k/15k/20k	1k/3k/5k 10k/15k/30k	1k/3k/5k 10k/15k/20k	1k/3k/5k 10k/15k/30k
Max. transaction records stored	75000 log for 1k, 3k, 5k user model 100000 log for 10k, 15k, 20k, 30k user model			
Static IP address assignment	✓	✓	✓	✓
Dynamic IP address assignment	✓	✓	✓	✓
Power Over Ethernet (Built-in)	Available on certain models only			
Resolution of LCD	2.8"64K/256K colour TFT screen 320 x 240 pixel resolution			
Non-volatile memory	256MB			
Computer OS support (with Internet browser)	Mac OS Windows 95/98/NT/2000/XP/Vista/Win7 Windows Mobile Android iPhone OS Linux PC Unix Machine			
Valid characters for employee ID	0-9, A-C (max. 16 characters)			
Programmable function keys support	F1,F2,F3,F4			
Authentication time	< 1 second			
Auto-match users	1:500 (1:N) FAM model (compatible with ACTA2) 1:3000 (1:N) FLI model			

Distributed by:

Model:				
	Fingerprint only	Smartcard only	Fingerprint + Smartcard	Keypad + CMOS camera
Database interface support	ODBC / JDBC			
Encryption	Secure Socket Layer (SSL)			
Multi-lingual support	✓	✓	✓	✓
Network interface	100BaseT Ethernet (built-in) / SNMP support GSM/GPRS, Wi-Fi (*additional device is required)			
I/O interface	RS-232/RS-485 Wiegand 26bit output (Optional: External I/O board)			
Export Report	CSV / Text file			
Remote Control	✓	✓	✓	✓
Operation temperature	-20°C to 50°C			
Modules	CPU / Fingerprint	RFID card		
	Mifare / Legic	13.56MHz		
	HID Proximity	ISO14443A/B		
	HID iClass / FeliCa	ISO15693		
	EM	125kHz		
	CEPAS Card (Singapore)	13.56MHz		
	CMOS/Video camera (Optional)	Colour LCD & keypad		
Modes of authentication	Fingerprint, Smartcard, PIN ID + Fingerprint Smartcard + Fingerprint Smartcard + PIN			
Mobile	Optional mobile battery			
Relay support	1 relay			
Safety standard/Casing	CE, FCC, IP65-fluid ingress,dust,salt,fog protection (*available on certain models only)			
Software support	ACTAtek Agent / ACTAtek Access Manager** (Standalone) (Networkable)			

\*\* ACTAtek Access Manager:

**Software Requirements**

- Windows Server 32bit/64bit or Vista 32bit/64bit
- Microsoft SQL Server for Database Server  
SQL Server 2005 and 2008 is supported
- Microsoft .Net 2.0 or 3.5 runtime

**Hardware Requirements (Minimum)**

- CPU: Intel Core 2 Duo 2.6GHz or higher
- Memory: 4GB
- Storage: 20 GB free
- Ethernet: 100 Base-T

(Note: Access Manager -SOAP/API will be provided for 3rd party integration.)